

# 7216 BECBY Angular contact ball bearings, single row

- Popular item  
- SKF Explorer

## Angular contact ball bearings, single row

### Bearing data

[Tolerances](#),

Normal (metric), P6, P5, Normal (inch),

[Internal clearance](#),

CA+CB+CC, G,

[Preload](#),

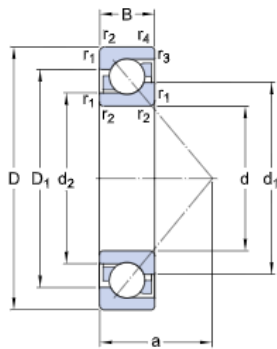
GA+GB+GC

### Bearing interfaces

[Seat tolerances for standard conditions](#),

[Tolerances and resultant fit](#)

## Technical specification

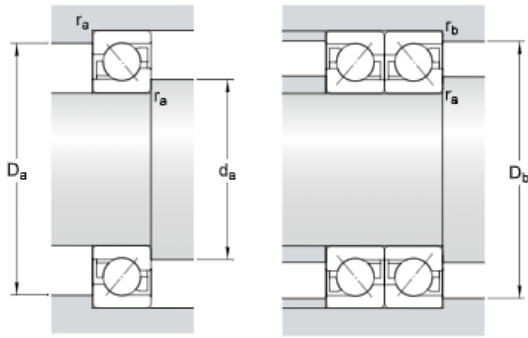


### DIMENSIONS

|                  |             |  |
|------------------|-------------|--|
| d                | 80 mm       | Bore diameter                                  |
| D                | 140 mm      | Outside diameter                               |
| B                | 26 mm       | Width  |
| d1               | ≈ 103.55 mm | Shoulder diameter inner ring (large side face) |
| d2               | ≈ 91.44 mm  | Shoulder diameter inner ring (small side face) |
| D1               | ≈ 117.85 mm | Shoulder diameter outer ring (large side face) |
| a                | 59 mm       | Distance pressure point                        |
| r <sub>1,2</sub> | min. 2 mm   | Chamfer dimension                              |
| r <sub>3,4</sub> | min. 1 mm   | Chamfer dimension outer ring small side face   |

### ABUTMENT DIMENSIONS

|                |             |                           |
|----------------|-------------|---------------------------|
| d <sub>a</sub> | min. 91 mm  | Abutment diameter shaft   |
| D <sub>c</sub> | max. 130 mm | Abutment diameter housing |
| D <sub>i</sub> | max. 134 mm | Abutment diameter housing |
| r <sub>a</sub> | max. 2 mm   | Fillet radius             |
| r <sub>b</sub> | max. 1 mm   | Fillet radius             |



## CALCULATION DATA

|                |             |                           |
|----------------|-------------|---------------------------|
| C              | 85 kN       | Basic dynamic load rating |
| C <sub>0</sub> | 75 kN       | Basic static load rating  |
| P <sub>u</sub> | 3.05 kN     | Fatigue load limit        |
|                | 5 600 r/min | Reference speed           |
|                | 5 600 r/min | Limiting speed            |
| A              | 0.08        | Calculation factor        |
| k <sub>r</sub> | 0.095       | Calculation factor        |
| e              | 1.14        | Calculation factor        |

## SINGLE BEARING OR BEARING PAIR ARRANGED IN TANDEM

|                |      |                    |
|----------------|------|--------------------|
| X              | 0.35 | Calculation factor |
| Y <sub>0</sub> | 0.26 | Calculation factor |
| Y <sub>2</sub> | 0.57 | Calculation factor |

## BEARING PAIR ARRANGED BACK-TO-BACK OR FACE-TO-FACE

|                |      |                    |
|----------------|------|--------------------|
| X              | 0.57 | Calculation factor |
| Y <sub>0</sub> | 0.52 | Calculation factor |
| Y <sub>1</sub> | 0.55 | Calculation factor |
| Y <sub>2</sub> | 0.93 | Calculation factor |